



IK ALK 1,5 is a professional sprayers equipped with the highest performance in terms of safety and ease of use. Designed for maximum resistance to alkalis substances, alcohols and ketones, they are intended for use in different sectors such as cleaning, disinfection and automotive.



Sectors in which to use

- Construction
- Cleaning and disinfection
- Automotive and detailing
- Epidemics & virus control

Products with which to use

optimal Disinfectants, alcohols, neutral products, alkalis and ketones



	IK ALKALINES
Oils, solvents and petroleum by-products	✗
Acids	L
Alkalis and ketones	✓
Alcohols	✓
Disinfectants	✓
Solvent based pesticides	✗
Neutral products	✓

L Optimal ✓ Limited ✗ Not valid

Technical information

Technical information	ALK 1.5
VALVE	Set to 2,5 bar (42 psi) with depressurization option
STANDARD NOZZLES	Adjustable conical nozzle and fan
USEFUL CAPACITY	1 L. - 33 oz
TOTAL CAPACITY	1,50 L. - 50 oz
LITRES/MIN. 3 BAR	0,7 l/min - 0.18 gal/min
GROSS WEIGHT	0,60 kg - 1.32 lb
NET WEIGHT	0,46 kg - 1.02 lb

Logistics data

Logistics data	ALK 1.5
CODE	81777
EAN	84.14685.10177.8
CONDITIONING	6 units
UNITS PER PALLET	90 units
DIMENSIONS PER PALLET EU	1200 x 800 x 960

Functional information



Adjustable nozzle with the possibility of adapting other nozzles and accessories.



Depressurizable safety valve.



Wide filling mouth.



Translucent tank with level indicator.

ACCESSORIES

Personalize your sprayer adapting it to your application needs (height, hard-to-reach areas...)



CONTENT IDENTIFIER IK 1.5/2

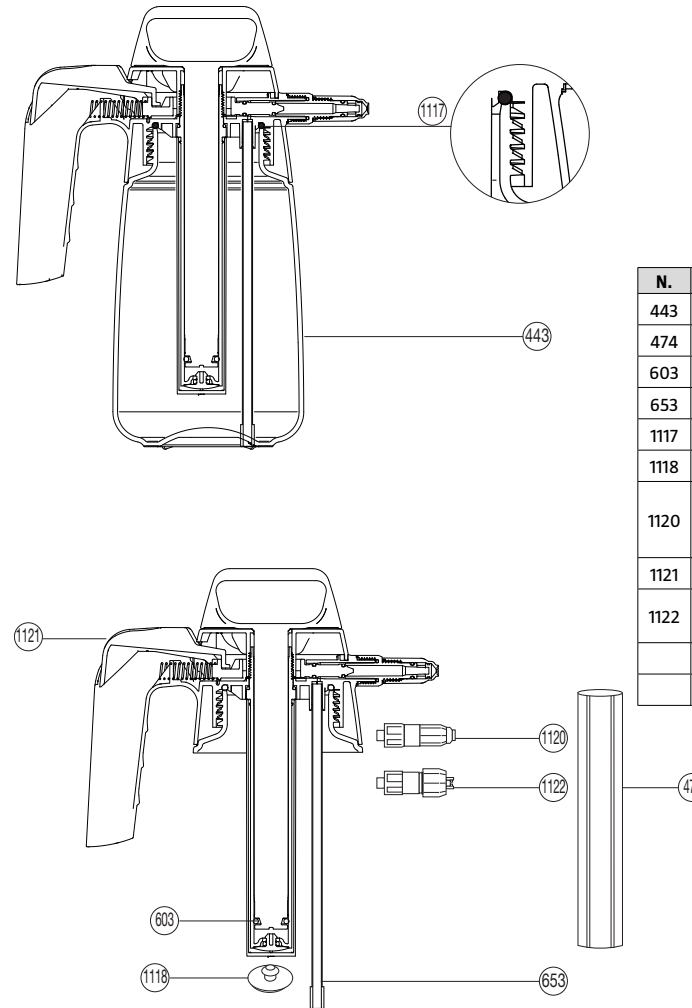
Reference 8.16.71.900

Colour caps to identify deposit content between devices of the same line.



SPARE PARTS

Extend the service life of your sprayer easily replacing parts



N.	COD.	Q	SPARE PARTS NAME
443	81771301	1	TANK
474	81771305	1	CYLINDER GUARD
603	2239943916	1	ROUND GASKET Ø15
653	82827320	1	TUBE WITH FILTER
1117	22317990	1	ROUND GASKET
1118	838053143	1	CHAMBER VALVE
1120	81777601	1	M-12 ADAPTER WITH ADJUSTABLE CONICAL NOZZLE
1121	81777801	1	COMPLETE CHAMBER
1122	81777602	1	M-18 ADAPTER WITH FAN NOZZLE
	81777200	1	INSTRUCTION SHEET
	81777201	1	PACKAGING